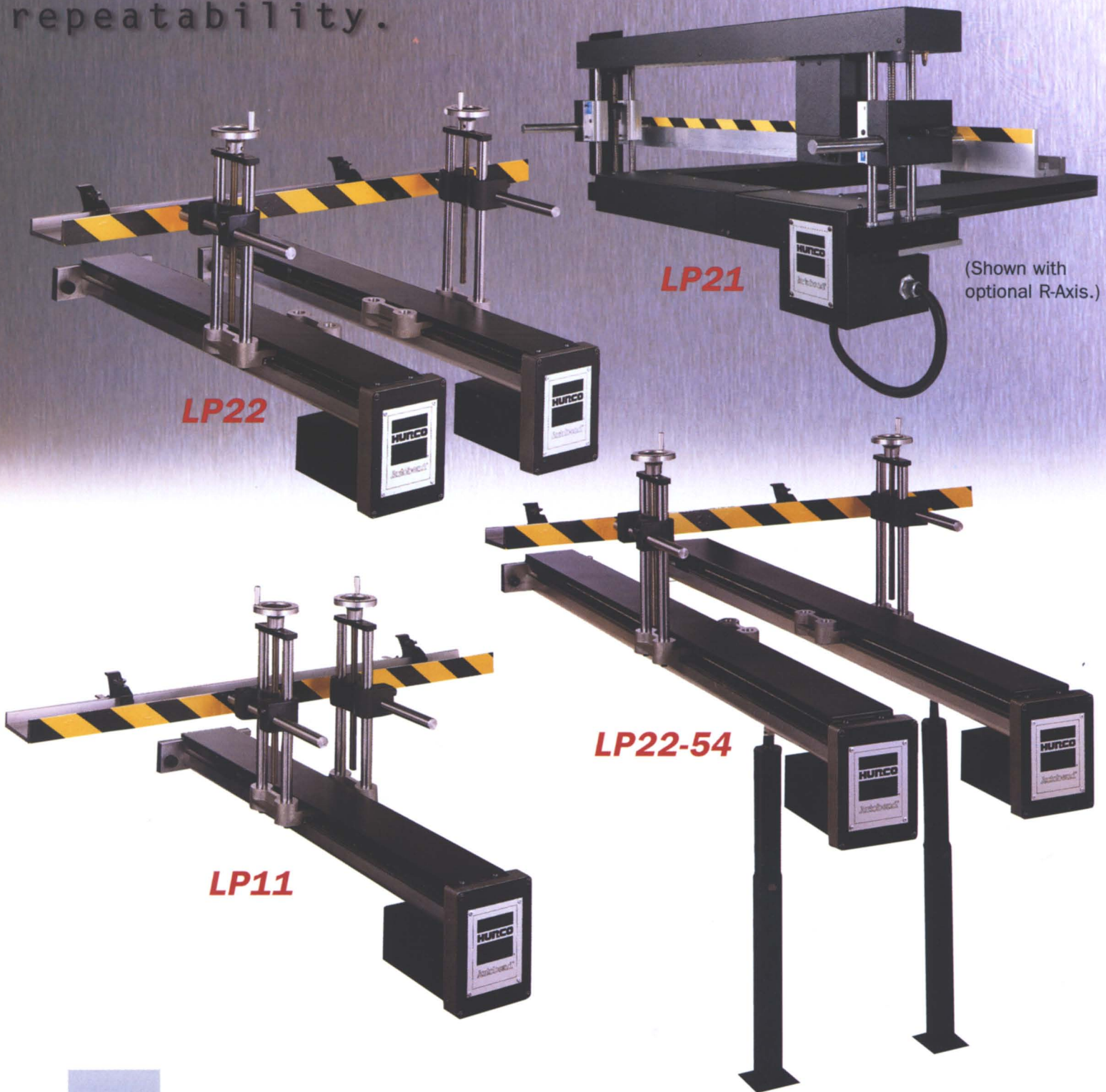


Low profile automatic
backgauging systems offering
speed, accuracy and
repeatability.



LP22

LP21

(Shown with
optional R-Axis.)

LP22-54

LP11

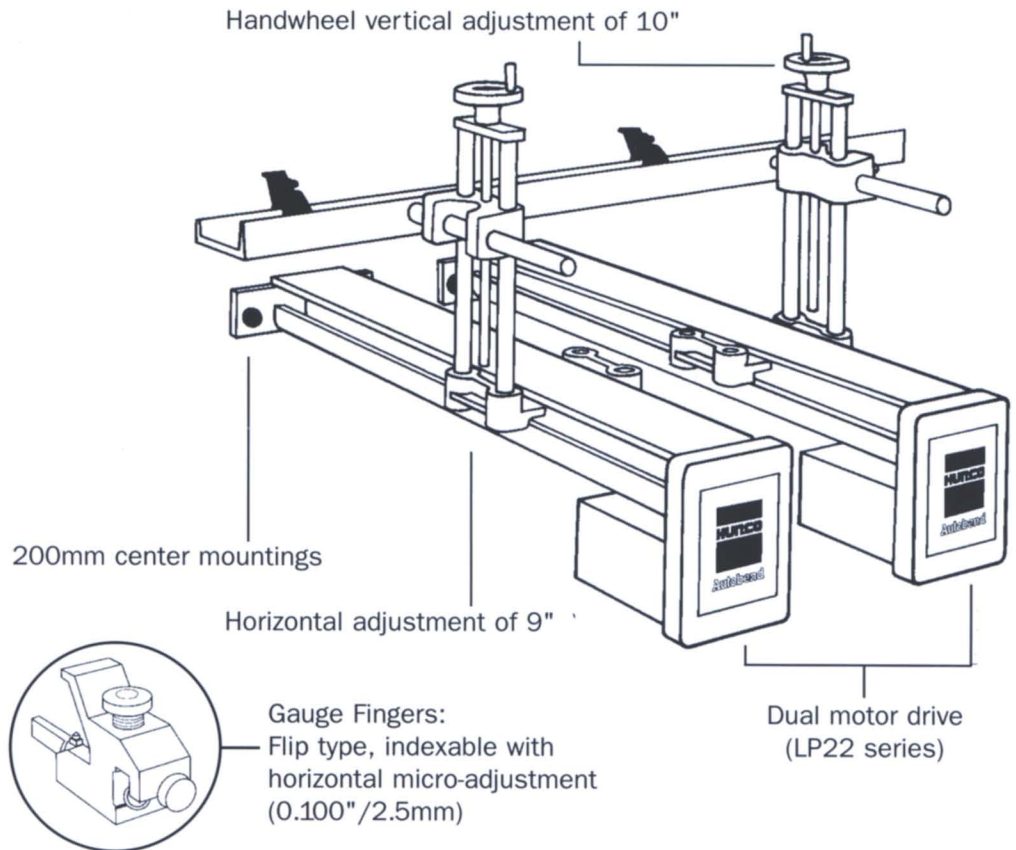


**METAL FABRICATION
PRODUCTS**

We make machines smarter. SM

One Technology Way • P.O. Box 68180 • Indianapolis, IN 46268-0180 • 1.800.331.7908 • Fax 317.328.2806
www.hurco.com/metalfab • email: autobend@hurco.com

- Low profile design
- Adaptable to press brakes ranging from 3' to 16' between housings
- Complete installation instructions and hardware
- Easy horizontal and vertical adjustment
- Gauge speed up to 800 ipm
- Gauge travel up to 54"
- Single- or dual-drive
- Gauge holding force up to 400 lbs.
- Heavy-duty U-shaped gauge bar
- Optional R-Axis



	LP11	LP21	LP22	LP22-54
Gauge Bar Length	Up to 6'/1.82m	Up to 14'/4.26m	Up to 14'/4.26m	Up to 14'/4.26m
Gauge Travel	24"/610mm	24"/610mm	24"/610mm	54"/1370mm
Vertical Adjustment	10"/254mm	10"/254mm	10"/254mm	10"/254mm
Horizontal Adjustment	9"/229mm	9"/229mm	9"/229mm	9"/229mm
Gauge Speed	800 ipm 20320mm/min	650 ipm 16510mm/min	800 ipm 20320mm/min	650 ipm 16510mm/min
Gauge Position Accuracy	±0.003"/±0.08mm	±0.005"/±0.127mm	±0.003"/±0.08mm	±0.005"/±0.127mm
Gauge Repeatability	±0.002"/±0.05mm	±0.002"/±0.05mm	±0.002"/±0.05mm	±0.005"/±0.127mm
Gauge Holding Force	200 lbs./91kg	200 lbs./91kg	400 lbs./182kg	300 lbs./136kg
Housing Dimensions	10"x3 ⁵ / ₈ "x45 ⁵ / ₈ "	9"x3"x40"	10"x3 ⁵ / ₈ "x45 ⁵ / ₈ "	10"x3 ⁵ / ₈ "x74 ⁵ / ₈ "
	254mm x92mm x1159mm(1895mm on LP22-54)			
Weight	95 lbs./43kg	160 lbs./73kg	160 lbs./73kg	225 lbs./102kg
Vertical Support Rods (2)	1"/25.4mm	1"/25.4mm	1"/25.4mm	1"/25.4mm
Power Requirements	All Models: 115/230 VAC ± 10%, 50/60 Hz			



**METAL FABRICATION
PRODUCTS**

We make machines smarter. SM

One Technology Way • P.O. Box 68180 • Indianapolis, IN 46268-0180 • 1.800.331.7908 • Fax 317.328.2806
www.hurco.com/metalfab • email: autobend@hurco.com

HMFP-3002 7/02 3MShearerF011-1001