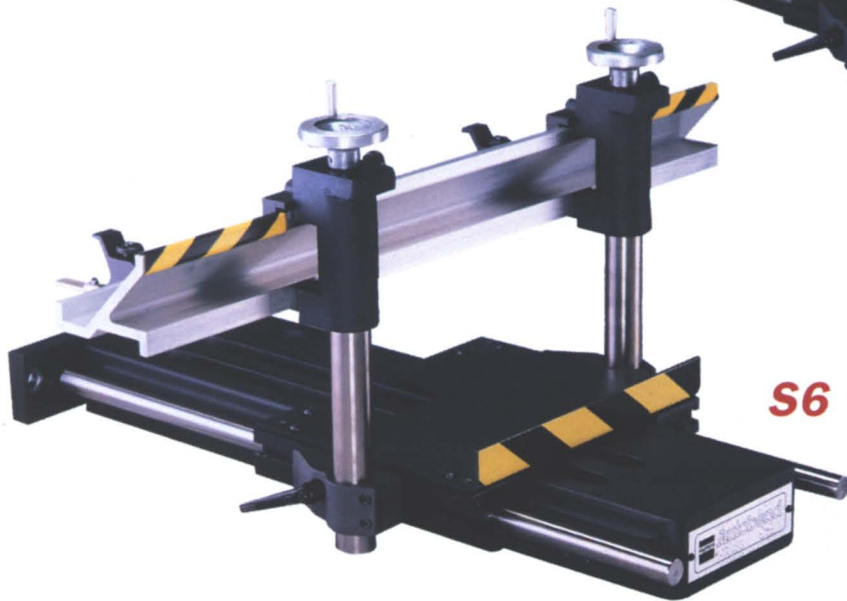
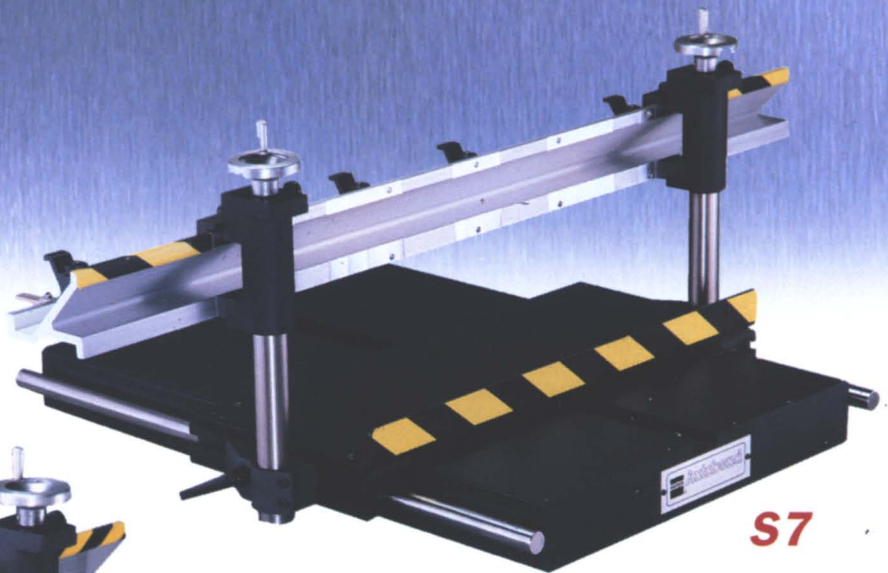


Rigid automatic backgauging systems offering speed, accuracy and repeatability.

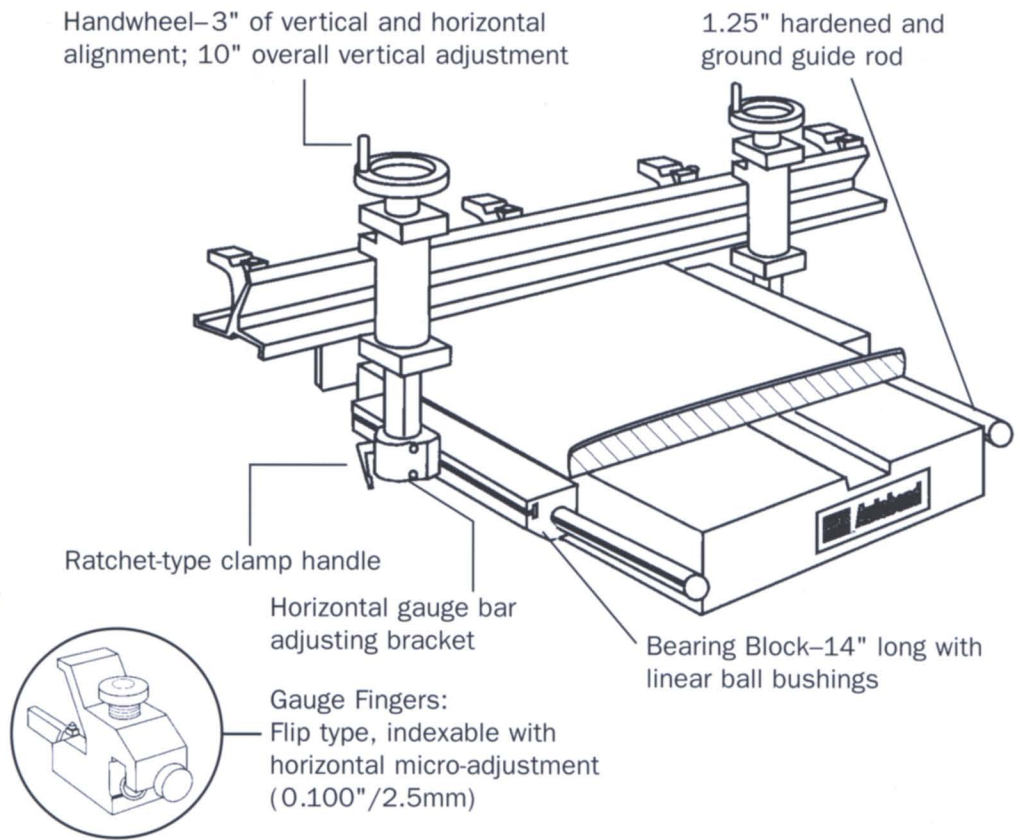


METAL FABRICATION
PRODUCTS

We make machines smarter. S.M.

One Technology Way • P.O. Box 68180 • Indianapolis, IN 46268-0180 • 1.800.331.7908 • Fax 317.328.2806
www.hurco.com/metalfab • email: autobend@hurco.com

- Cross-braced, one-piece cast aluminum housing provides solid structural stability.
- Patented “Y-shaped” gauge bar gives superior rigidity.
- 1.25" guide rods are continuously supported in machined V-grooves for consistent alignment and bearing block, carriage tracking.
- Gauge holding force is up to 400 lbs (181 kg).
- Closed-loop servo system, self-contained provides for long, trouble-free life.
- Point-to-point positioning of 800" per minute improves productivity.
- Complete mounting instructions and hardware included.
- Additional accessories available.
- Available with optional R-Axis.



	S6	S7	S8
Gauge Bar Length	Up to 8"/2.44m	Up to 11'6"/3.5m	Up to 14'/4.26m
Gauge Travel	24"/610mm	24"/610mm	24"/610mm
Vertical Adjustment	10"/254mm	10"/254mm	10"/254mm
Horizontal Adjustment	12"/305mm	12"/305mm	12"/305mm
Gauge Speed	800 ipm 20320mm/min	800 ipm 20320mm/min	800 ipm 20320mm/min
Gauge Position Accuracy	±0.003"/±0.08mm	±0.003"/±0.08mm	±0.003"/±0.08mm
Gauge Repeatability	±0.002"/±0.05mm	±0.002"/±0.05mm	±0.002"/±0.05mm
Gauge Holding Force	200 lbs./91kg	200 lbs./91kg	400 lbs./182kg
Housing Dimensions (including carriage)	27" x 6" x 42 1/2" 686mm (1080mm on S7) x 156mm x 1003mm	42 1/2" x 6 1/8" x 41 1/2" 1054mm on S7	27" x 6" x 42 1/2" 1054mm on S7
Casting Weight	200 lbs./91kg	230 lbs./105kg	400 lbs./91kg
Guide Rod Diameter	1 1/4"/32mm	1 1/4"/32mm	1 1/4"/32mm
Gauge Uprights Diameter	2"/50mm	2"/50mm	2"/50mm
Distance Between Uprights	17 1/2"/444.5mm	34 1/2"/876mm	NA
Power Requirements	All Models: 115/230 VAC ± 10%, 50/60 Hz		



METAL FABRICATION PRODUCTS

We make machines smarter. S.M.

One Technology Way • P.O. Box 68180 • Indianapolis, IN 46268-0180 • 1.800.331.7908 • Fax 317.328.2806
www.hurco.com/metalfab • email: autobend@hurco.com

HMFP-3005R 9/01 5MPC